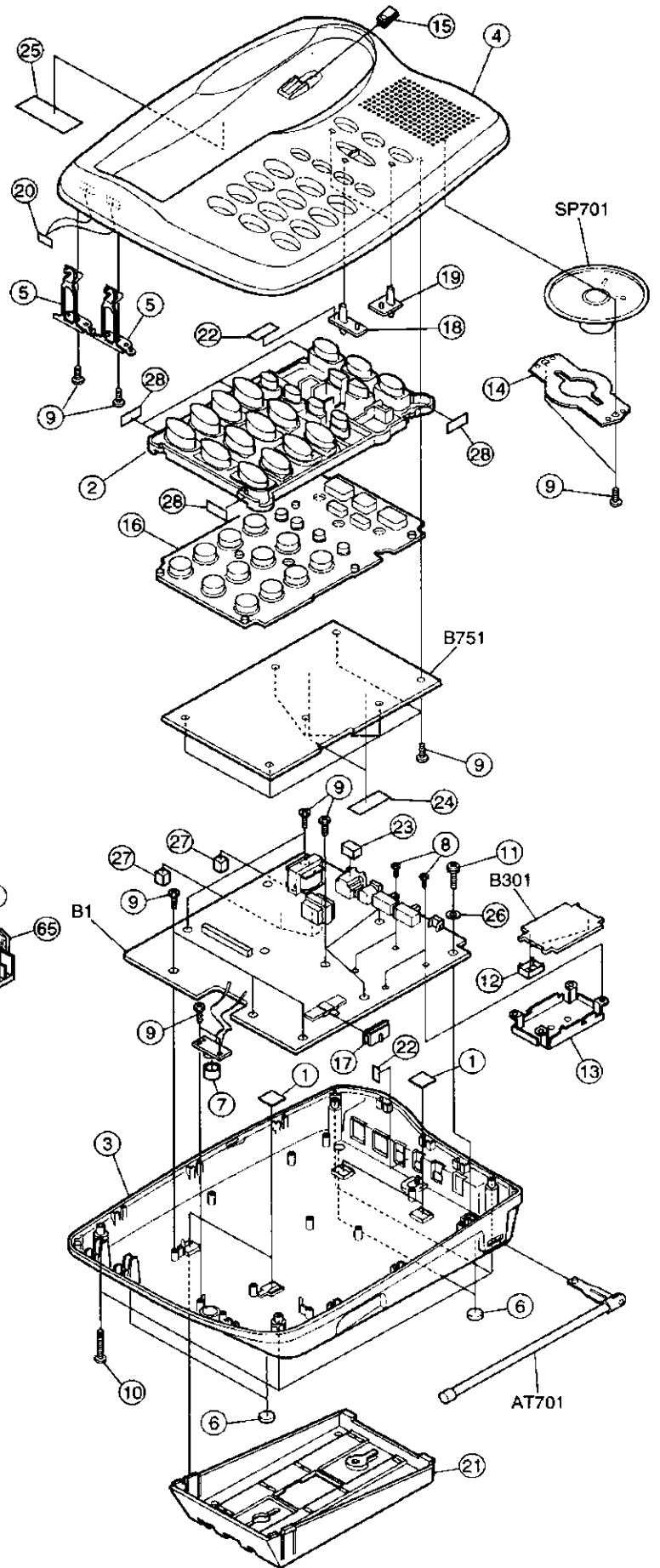
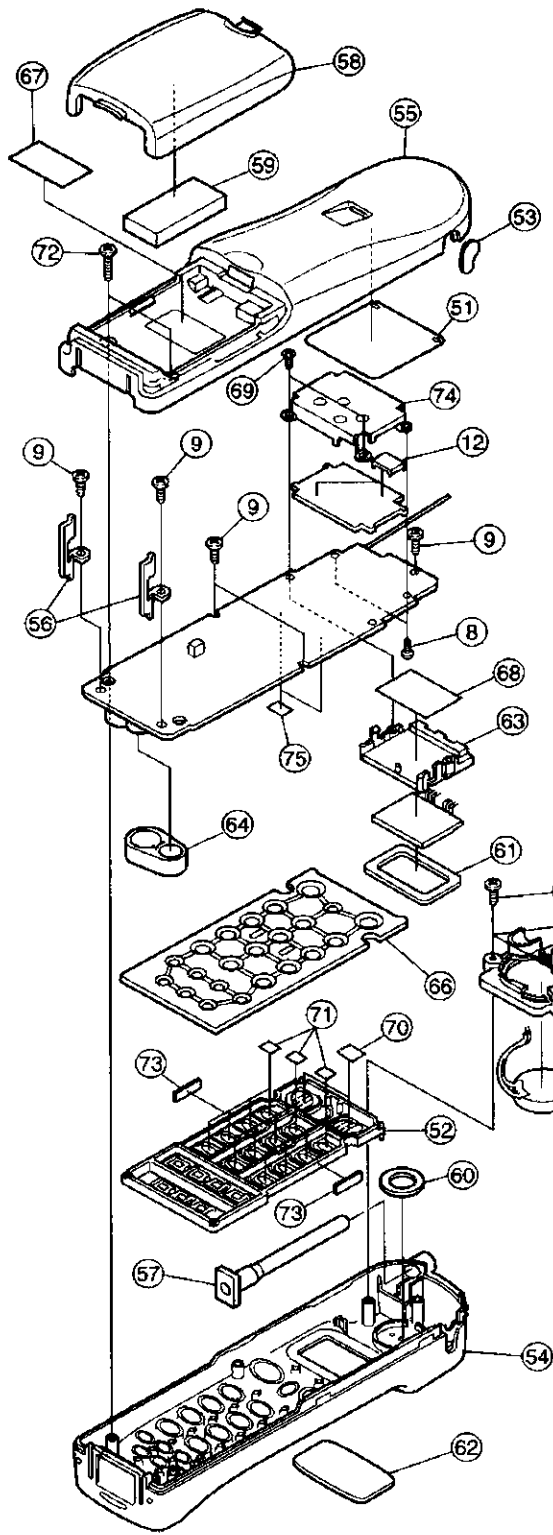


HANDSET UNIT



**MODEL ET-683 900 MHz 2-LINE
SPEAKERPHONE WITH CALLER
ID/CALL WAITING
EXPLODED VIEW (430-0683)
FAXBACK DOC # 25265**

BASE UNIT