

Your Drive My School Bus puts you in the driver's seat!

Drive My School Bus

OWNER'S MANUAL — Please read before using this equipment.

Your RadioShack Drive My School Bus is fun for children ages three and above. You can make it move forward, backward or turn in different directions. Its brakes, engine and horn sound just like a real school bus!

INSTALLING THE BATTERIES

Warning: Dispose of batteries promptly and properly; do not bury or burn them.

Cautions:

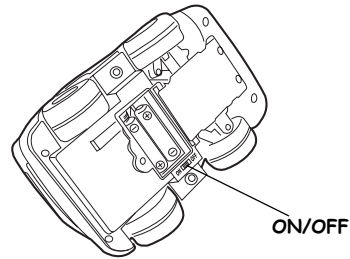
- Use only fresh batteries of the required size and type.
- Do not mix old and new batteries, different types of batteries (standard, alkaline or rechargeable), or rechargeable batteries of different capacities.
- If you do not plan to play with the bus for several days, remove the batteries. Batteries can leak chemicals that can damage electronic parts.

In the Bus

Your Drive My School Bus requires four AA batteries (not supplied) for power. For the best performance and longest life, we recommend RadioShack alkaline batteries.

1. Use a Phillips screwdriver to remove the screw in the bus' battery compartment cover, then use

a coin to turn the knob toward **OPEN**. Remove the cover.

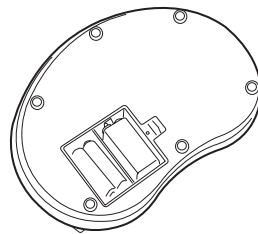


2. Place the batteries in the compartment as indicated by the polarity symbols (+ and -) marked inside.
3. Replace the cover and tighten the screw.

In the Controller

Your bus' controller requires one 9V battery and two AA batteries (not supplied) for power. For the best performance and longest life, we recommend RadioShack alkaline batteries.

1. Use a Phillips screwdriver to remove the screw in the dashboard controller's battery compartment cover. Remove the cover.



© 2000 RadioShack Corporation. All Rights Reserved.
RadioShack and RadioShack.com are trademarks
used by RadioShack Corporation.

 **RadioShack**
www.radioshack.com™

2. Place the batteries in the compartment as indicated by the polarity symbols (+ and -) marked inside.
3. Replace the cover and tighten the screw.

When the School Bus moves slowly or not at all, replace the batteries in both the controller and the bus.

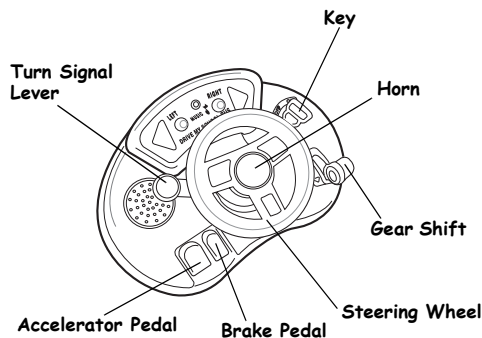
SETTING THE VOLUME

1. Remove the controller's battery compartment cover.
2. To limit the volume to a low range, slide **VOLUME** to **LO**. To allow a higher volume, slide **VOLUME** to **HI**.
3. Replace the cover and tighten the screw.

PLAYING WITH THE BUS

Warning: Never play with your Radio-Controlled School Bus in the street.

1. Push **ON/OFF** at the bottom of the bus to **ON**.
2. Turn the key on the dashboard controller to **ON** to start up the dashboard.



3. Push the gear shift forward to move school bus forward. Pull the gear shift back to move bus backward. The indicator on the dashboard turns on.
4. Turn the steering wheel on the dashboard to the left to turn the bus to the left, or to the right to turn the bus to the right. The indicator on the dashboard turns on.
5. Push the turn signal lever down and watch the left turn indicator flash. Push the lever up and watch the right turn indicator flash. The turn signal makes a ticking sound when you push it either way.

Note: Your Drive My School Bus stops when it runs into anything, but the motor keeps running. When this happens, hold down or release the controller's power knob so the bus changes direction, or move it by hand.

CARE

To enjoy your Drive My School Bus for a long time:

- Keep the bus dry. If it gets wet, wipe it dry immediately.
- Use and store the bus only in normal temperature environments.
- Handle the product gently and carefully. Don't drop it.
- Keep the bus away from dust and dirt.
- Wipe the bus with a damp cloth occasionally to keep it looking new.

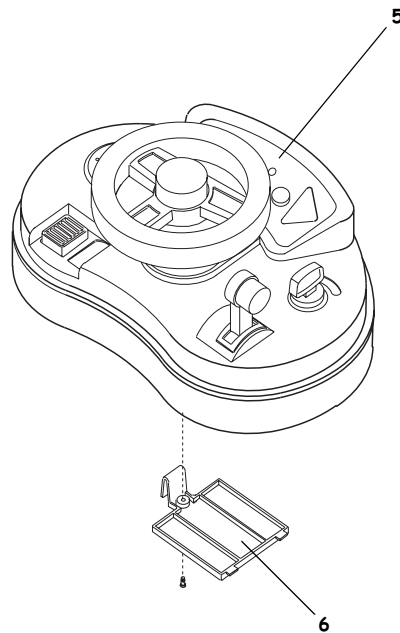
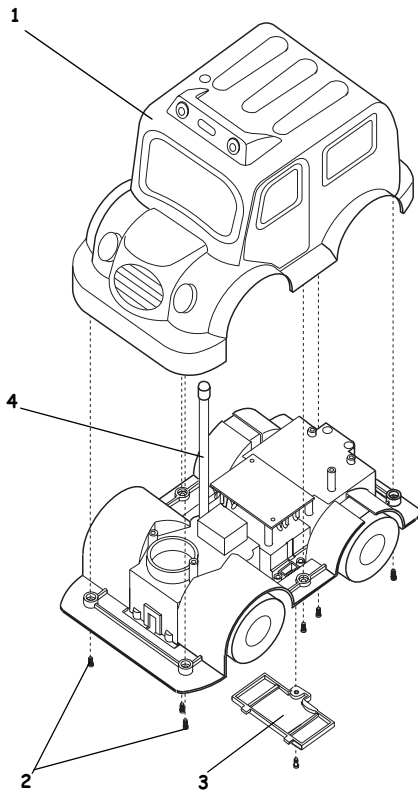
Modifying or tampering with the bus' internal components can cause a malfunction and invalidate its warranty. If your bus is not performing as it should, take it to your local RadioShack store for assistance.

USER-REPLACEABLE PARTS

You can order these easily replaceable parts for this vehicle at your local RadioShack store. Simply identify the part(s) you need from the exploded view drawing, then find the part number in the list.

Ref No.	Description	RSU#
1	Car Body Assembly	12261608
2	Screw	12261426
3	Receiver Battery Door	12261368
4	Half Thread Screw	12261434
5	Transmitter (27MHz)	12261715
6	Transmitter Battery Door	12261376
7*	Owner's Manual	12261509

* Not pictured



Limited Ninety-Day Warranty

This product is warranted by RadioShack against manufacturing defects in material and workmanship under normal use for ninety (90) days from the date of purchase from RadioShack company-owned stores and authorized RadioShack franchisees and dealers. EXCEPT AS PROVIDED HEREIN, RadioShack MAKES NO EXPRESS WARRANTIES AND ANY IMPLIED WARRANTIES, INCLUDING THOSE OF MERCHANTABILITY AND FITNESS FOR A PARTICULAR PURPOSE, ARE LIMITED IN DURATION TO THE DURATION OF THE WRITTEN LIMITED WARRANTIES CONTAINED HEREIN. EXCEPT AS PROVIDED HEREIN, RadioShack SHALL HAVE NO LIABILITY OR RESPONSIBILITY TO CUSTOMER OR ANY OTHER PERSON OR ENTITY WITH RESPECT TO ANY LIABILITY, LOSS OR DAMAGE CAUSED DIRECTLY OR INDIRECTLY BY USE OR PERFORMANCE OF THE PRODUCT OR ARISING OUT OF ANY BREACH OF THIS WARRANTY, INCLUDING, BUT NOT LIMITED TO, ANY DAMAGES RESULTING FROM INCONVENIENCE, LOSS OF TIME, DATA, PROPERTY, REVENUE, OR PROFIT OR ANY INDIRECT, SPECIAL, INCIDENTAL, OR CONSEQUENTIAL DAMAGES, EVEN IF RadioShack HAS BEEN ADVISED OF THE POSSIBILITY OF SUCH DAMAGES.

Some states do not allow limitations on how long an implied warranty lasts or the exclusion or limitation of incidental or consequential damages, so the above limitations or exclusions may not apply to you.

In the event of a product defect during the warranty period, take the product and the RadioShack sales receipt as proof of purchase date to any RadioShack store. RadioShack will, at its option, unless otherwise provided by law: (a) correct the defect by product repair without charge for parts and labor; (b) replace the product with one of the same or similar design; or (c) refund the purchase price. All replaced parts and products, and products on which a refund is made, become the property of RadioShack. New or reconditioned parts and products may be used in the performance of warranty service. Repaired or replaced parts and products are warranted for the remainder of the original warranty period. You will be charged for repair or replacement of the product made after the expiration of the warranty period.

This warranty does not cover: (a) damage or failure caused by or attributable to acts of God, abuse, accident, misuse, improper or abnormal usage, failure to follow instructions, improper installation or maintenance, alteration, lightning or other incidence of excess voltage or current; (b) any repairs other than those provided by a RadioShack Authorized Service Facility; (c) consumables such as fuses or batteries; (d) cosmetic damage; (e) transportation, shipping or insurance costs; or (f) costs of product removal, installation, set-up service adjustment or reinstallation.

This warranty gives you specific legal rights, and you may also have other rights which vary from state to state.

RadioShack Customer Relations, 200 Taylor Street, 6th Floor, Fort Worth, TX 76102

We Service What We Sell

12/99

RadioShack Corporation
Fort Worth, Texas 76102

60-2778
06A00
Printed in Hong Kong