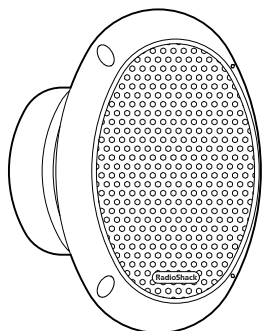


Water-Resistant 6 1/2-Inch Marine Speaker

OWNER'S MANUAL — Please read before using this equipment.

Your RadioShack Water-Resistant 6 1/2-Inch Marine Speaker gives you excellent sound reproduction in your RV, boat, on your patio, or any place you need a space-saving, high-fidelity, weather-resistant speaker. It is UV-protected and resistant to humidity and occasional water spray. The stacked two-element design gives you a wide, smooth frequency response for outstanding high-fidelity sound.



SELECTING A LOCATION

Before you install or connect the speaker, choose a mounting location with:

- at least 3 1/2 inches (89 mm) of open space behind the mounting surface
- no electrical wires, mechanical assemblies, or structural supports behind the mounting surface

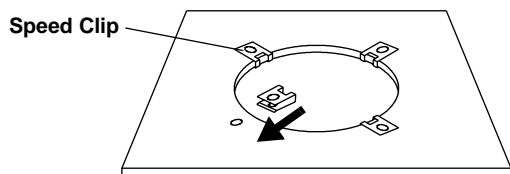
INSTALLING THE SPEAKER

Note: Before completing installation, temporarily connect the speaker to check for proper connection and operation.

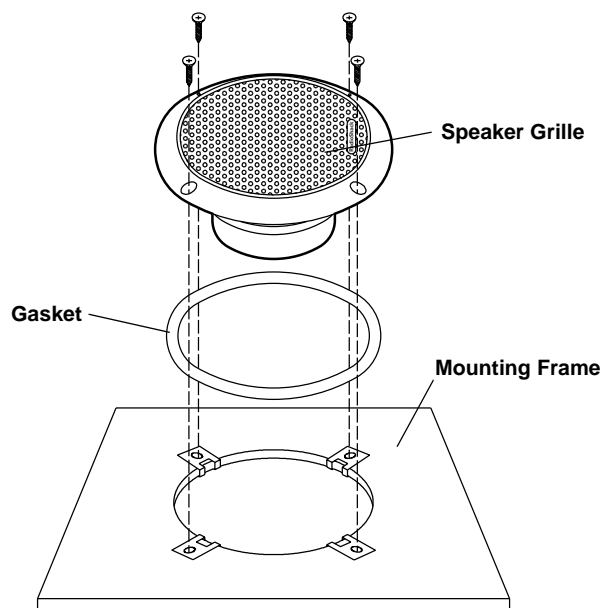
1. Use the supplied template to mark the locations of the mounting holes, then drill holes slightly smaller than the supplied screws in the marked locations.
2. Cut an opening for the speaker in the mounting surface.

Caution: Be careful not to cut into anything behind the mounting surface.

3. Place one of the supplied speed clips over each hole you drilled in Step 1.



4. Peel the backing from the supplied rear gasket and attach the gasket between the mounting frame and the back of the speaker grille to prevent water seepage.



5. Mount the speaker securely with the four supplied screws.

CONNECTING SPEAKERS

Follow these steps to connect speakers to your audio system.

1. Connect the audio system's right-channel positive (+) wire to the right speaker's positive (+) speaker terminal.
2. Connect the system's right-channel negative (-) wire to the right speaker's negative (-) speaker terminal.
3. Repeat Steps 1 and 2 for the left speaker.

SPECIFICATIONS

Impedance	4 Ohms
Frequency Response	95 Hz to 20 kHz
Power Handling Capacity	15 Watts RMS 45 Watts Maximum per Speaker
Efficiency	89 dB SPL, 1 Watt at 1 Meter
Woofer	7 1/16-Inch (18-cm) Diameter with 1-Inch (2.5-cm) Voice Coil and 8-oz (226-g) Ceramic Magnet
Tweeter	2-Inch (5.2-cm) Diameter with 1/2-Inch (1.3-cm) Voice Coil
Speaker Weight	26.2 oz (742 g)

Limited Ninety-Day Warranty

This product is warranted by RadioShack against manufacturing defects in material and workmanship under normal use for ninety (90) days from the date of purchase from RadioShack company-owned stores and authorized RadioShack franchisees and dealers. EXCEPT AS PROVIDED HEREIN, RadioShack MAKES NO EXPRESS WARRANTIES AND ANY IMPLIED WARRANTIES, INCLUDING THOSE OF MERCHANTABILITY AND FITNESS FOR A PARTICULAR PURPOSE, ARE LIMITED IN DURATION TO THE DURATION OF THE WRITTEN LIMITED WARRANTIES CONTAINED HEREIN. EXCEPT AS PROVIDED HEREIN, RadioShack SHALL HAVE NO LIABILITY OR RESPONSIBILITY TO CUSTOMER OR ANY OTHER PERSON OR ENTITY WITH RESPECT TO ANY LIABILITY, LOSS OR DAMAGE CAUSED DIRECTLY OR INDIRECTLY BY USE OR PERFORMANCE OF THE PRODUCT OR ARISING OUT OF ANY BREACH OF THIS WARRANTY, INCLUDING, BUT NOT LIMITED TO, ANY DAMAGES RESULTING FROM INCONVENIENCE, LOSS OF TIME, DATA, PROPERTY, REVENUE, OR PROFIT OR ANY INDIRECT, SPECIAL, INCIDENTAL, OR CONSEQUENTIAL DAMAGES, EVEN IF RadioShack HAS BEEN ADVISED OF THE POSSIBILITY OF SUCH DAMAGES.

Some states do not allow limitations on how long an implied warranty lasts or the exclusion or limitation of incidental or consequential damages, so the above limitations or exclusions may not apply to you.

In the event of a product defect during the warranty period, take the product and the RadioShack sales receipt as proof of purchase date to any RadioShack store. RadioShack will, at its option, unless otherwise provided by law: (a) correct the defect by product repair without charge for parts and labor; (b) replace the product with one of the same or similar design; or (c) refund the purchase price. All replaced parts and products, and products on which a refund is made, become the property of RadioShack. New or reconditioned parts and products may be used in the performance of warranty service. Repaired or replaced parts and products are warranted for the remainder of the original warranty period. You will be charged for repair or replacement of the product made after the expiration of the warranty period.

This warranty does not cover: (a) damage or failure caused by or attributable to acts of God, abuse, accident, misuse, improper or abnormal usage, failure to follow instructions, improper installation or maintenance, alteration, lightning or other incidence of excess voltage or current; (b) any repairs other than those provided by a RadioShack Authorized Service Facility; (c) consumables such as fuses or batteries; (d) cosmetic damage; (e) transportation, shipping or insurance costs; or (f) costs of product removal, installation, set-up service adjustment or reinstallation.

This warranty gives you specific legal rights, and you may also have other rights which vary from state to state.

RadioShack Customer Relations, 200 Taylor Street, 6th Floor, Fort Worth, TX 76102

We Service What We Sell

12/99