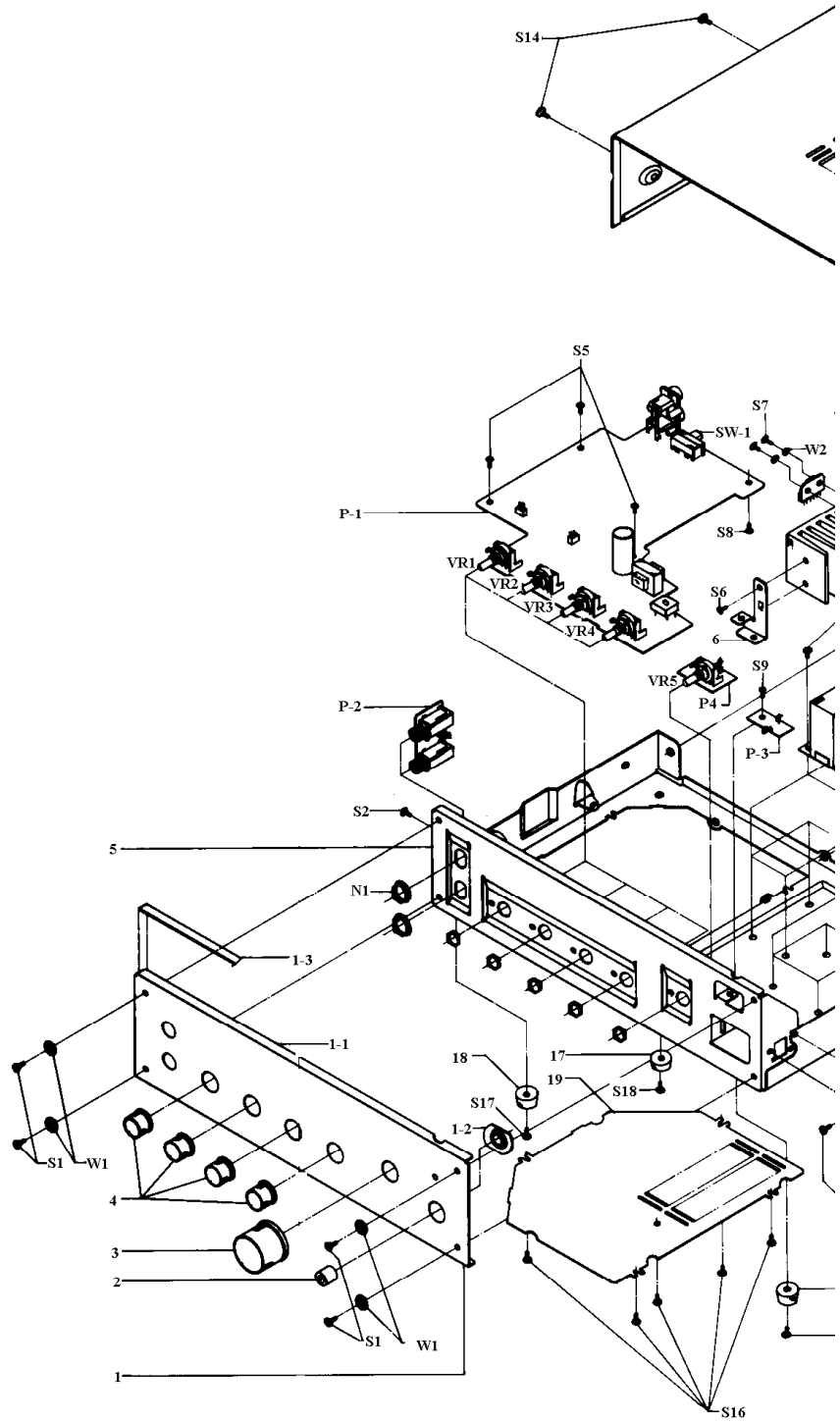


MPA-30 20-WATT AC/MOBILE  
PA AMPLIFIER SHEET # 1 (320-2034)  
FAXBACK DOC # 11432



MPA-30 20-WATT AC/MOBILE  
PA AMPLIFIER SHEET # 2 (320-2034)  
FAXBACK DOC # 11432

