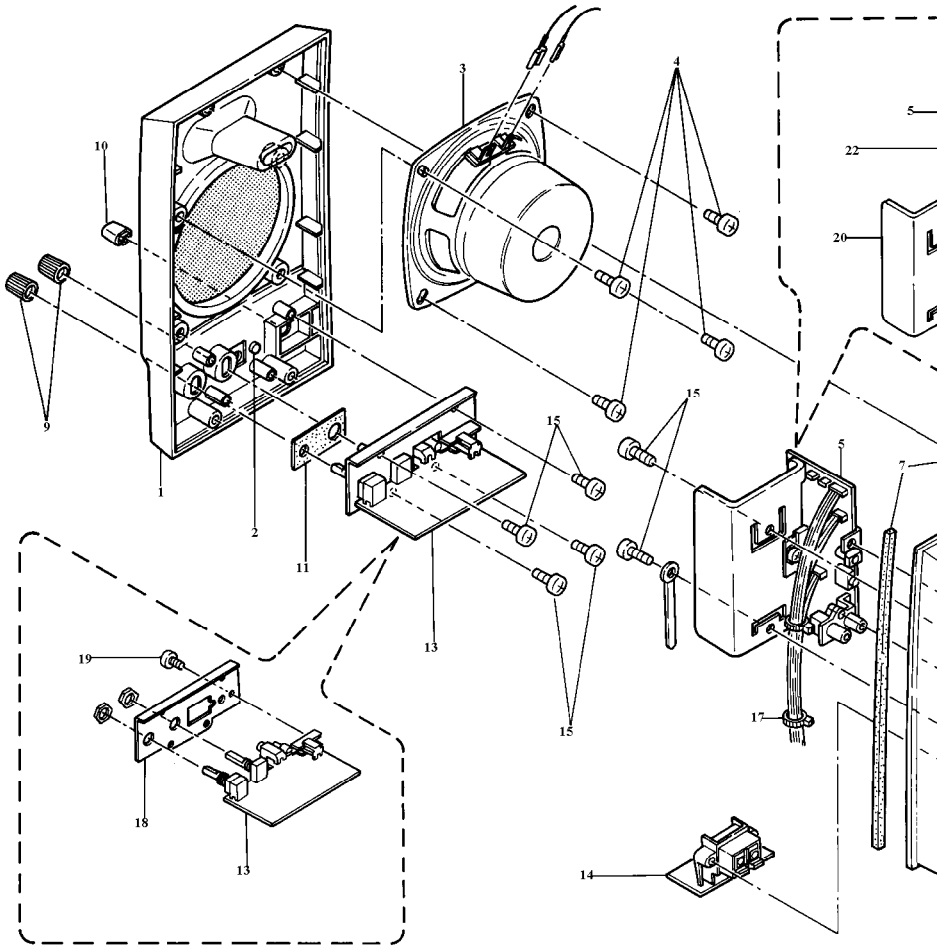
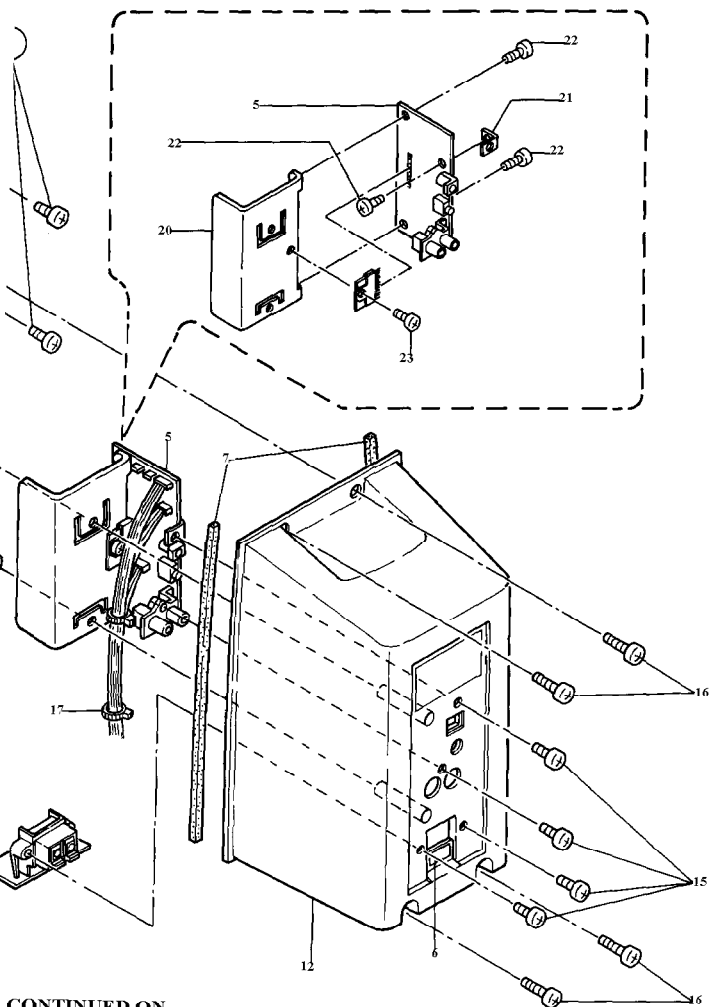


AMX-15 AMPLIFIED SPEAKER
SYSTEM RIGHT SPEAKER
SHEET # 1 (40-1362)
FAXBACK DOC # 10143

CONTINUED ON
SHEET # 2



AMX-15 AMPLIFIED SPEAKER
SYSTEM RIGHT SPEAKER
SHEET # 2 (40-1362)
FAXBACK DOC # 10143



CONTINUED ON
SHEET # 1