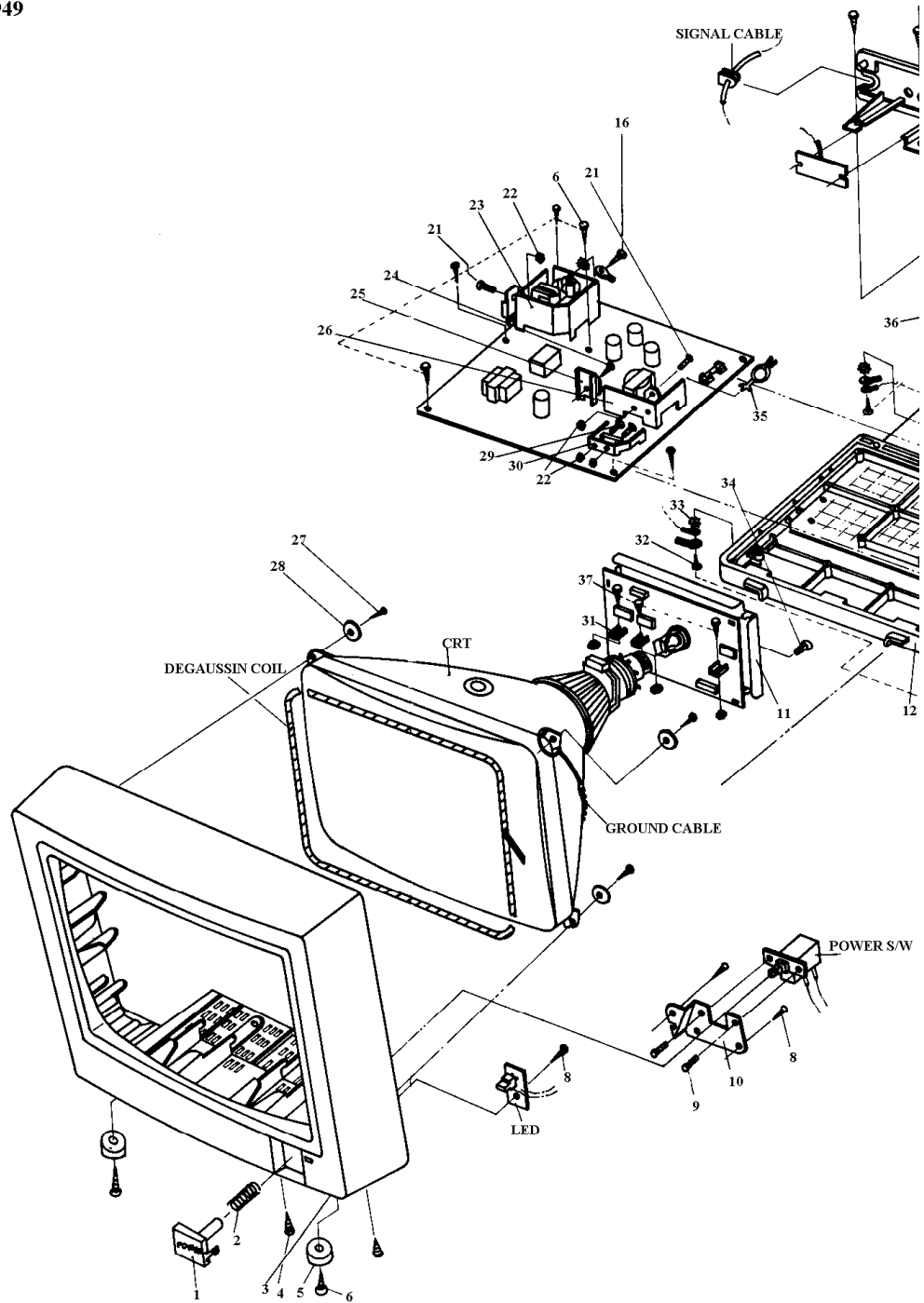
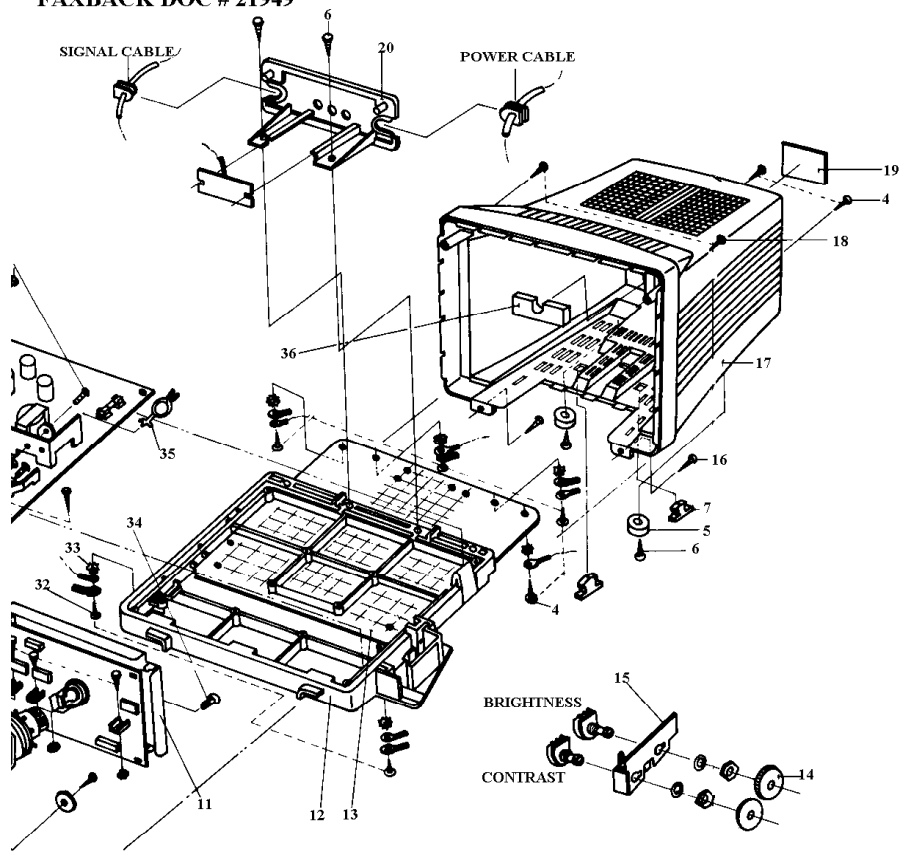


VGM 300 RGB ANALOG MONITOR
SHEET # 1 (250-4042B)
FAXBACK DOC # 21949



VGM 300 RGB ANALOG MONITOR
SHEET # 2 (250-4042B)
FAXBACK DOC # 21949



GROUND CABLE

