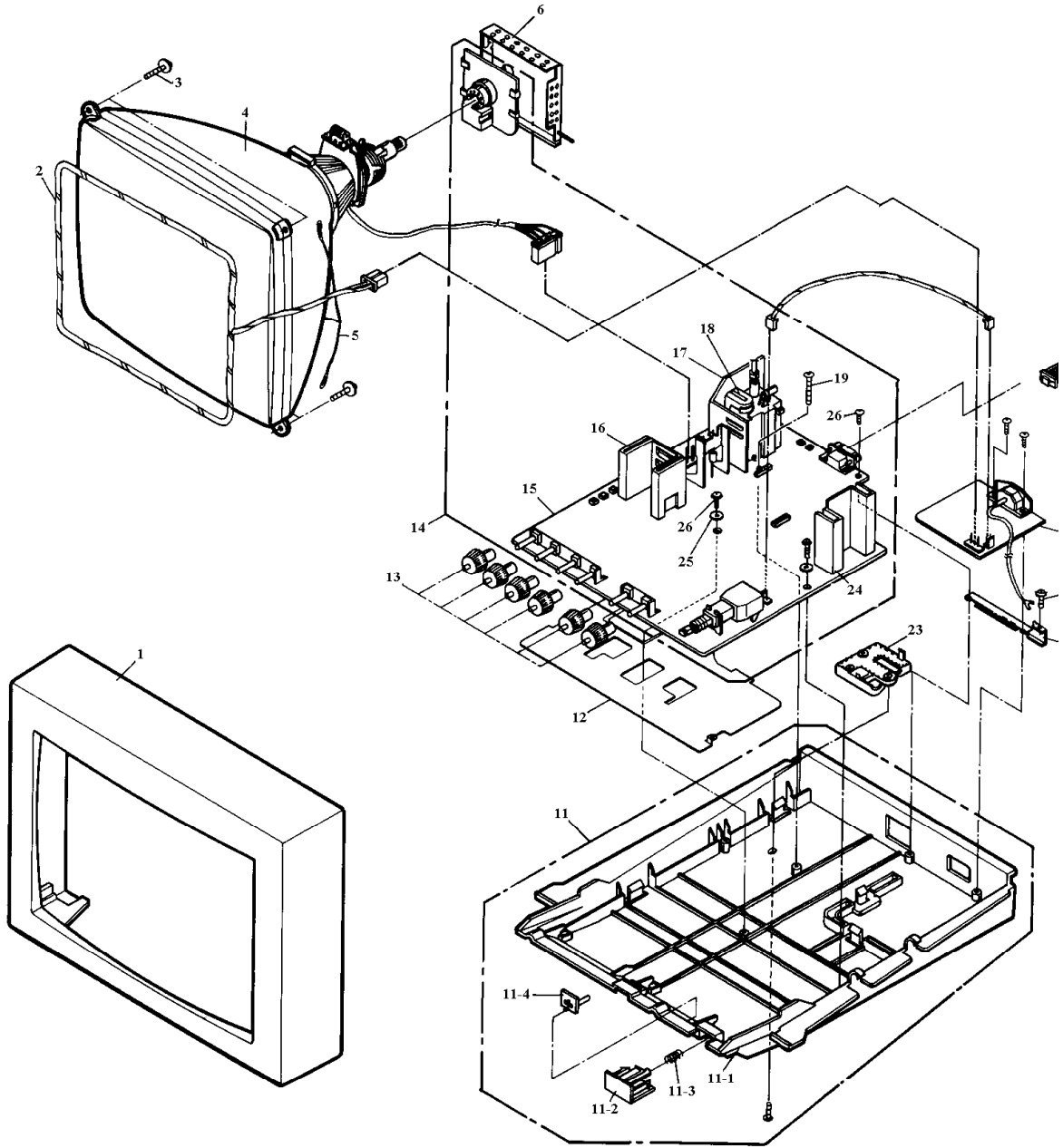


VGM-390 RGB ANALOG
MONITOR SHEET # 1 (250-4091A)
FAXBACK DOC # 10803



VGM-390 RGB ANALOG
MONITOR SHEET # 2 (250-4091A)
FAXBACK DOC # 10803

