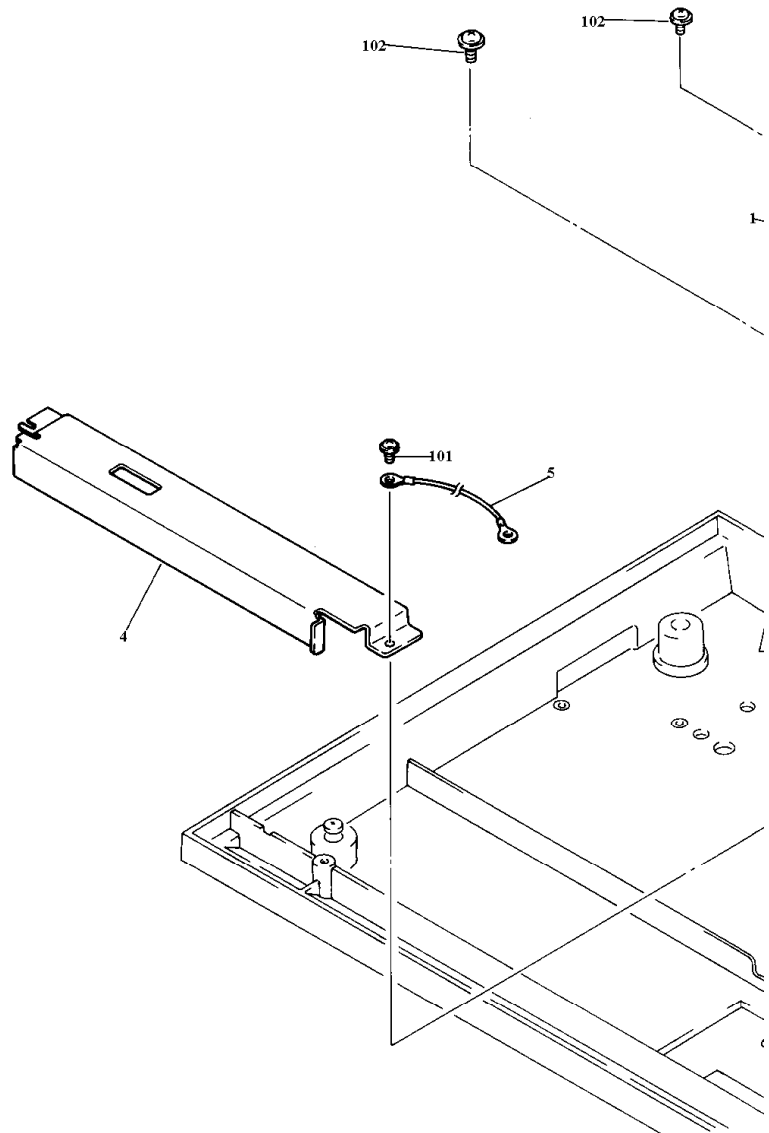


DWP 520 DAISY WHEEL PRINTER
PCB SHEET # 1 (260-2800)
FAXBACK DOC # 10560

CONTINUED ON
SHEET # 2



DWP 520 DAISY WHEEL PRINTER
PCB SHEET # 2 (260-2800)
FAXBACK DOC # 10560

CONTINUED ON
SHEET # 1

