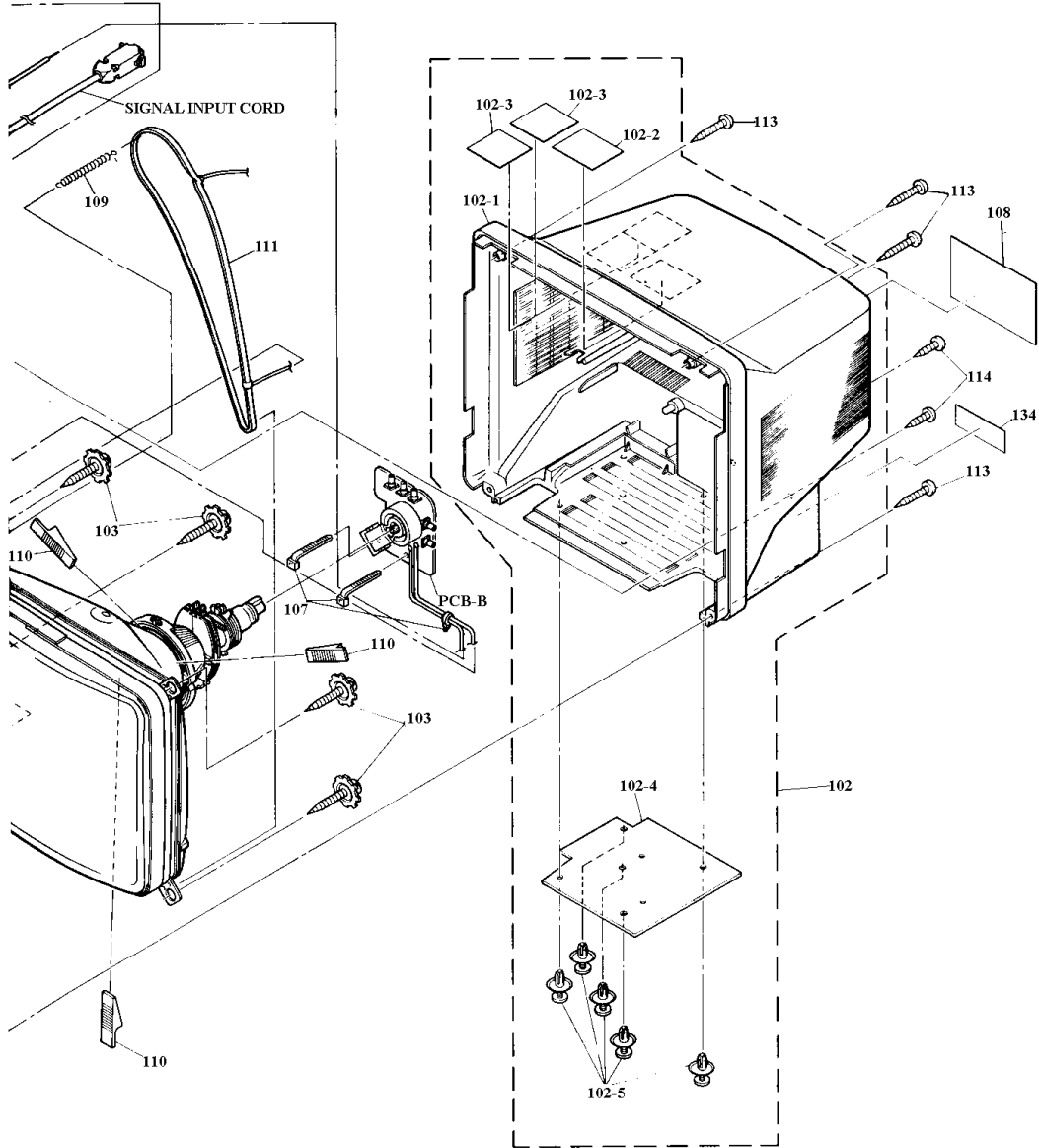


CM-4 COLOR MONITOR
SHEET # 1 (250-1021)
FAXBACK DOC # 10379



CONTINUED ON
SHEET # 1