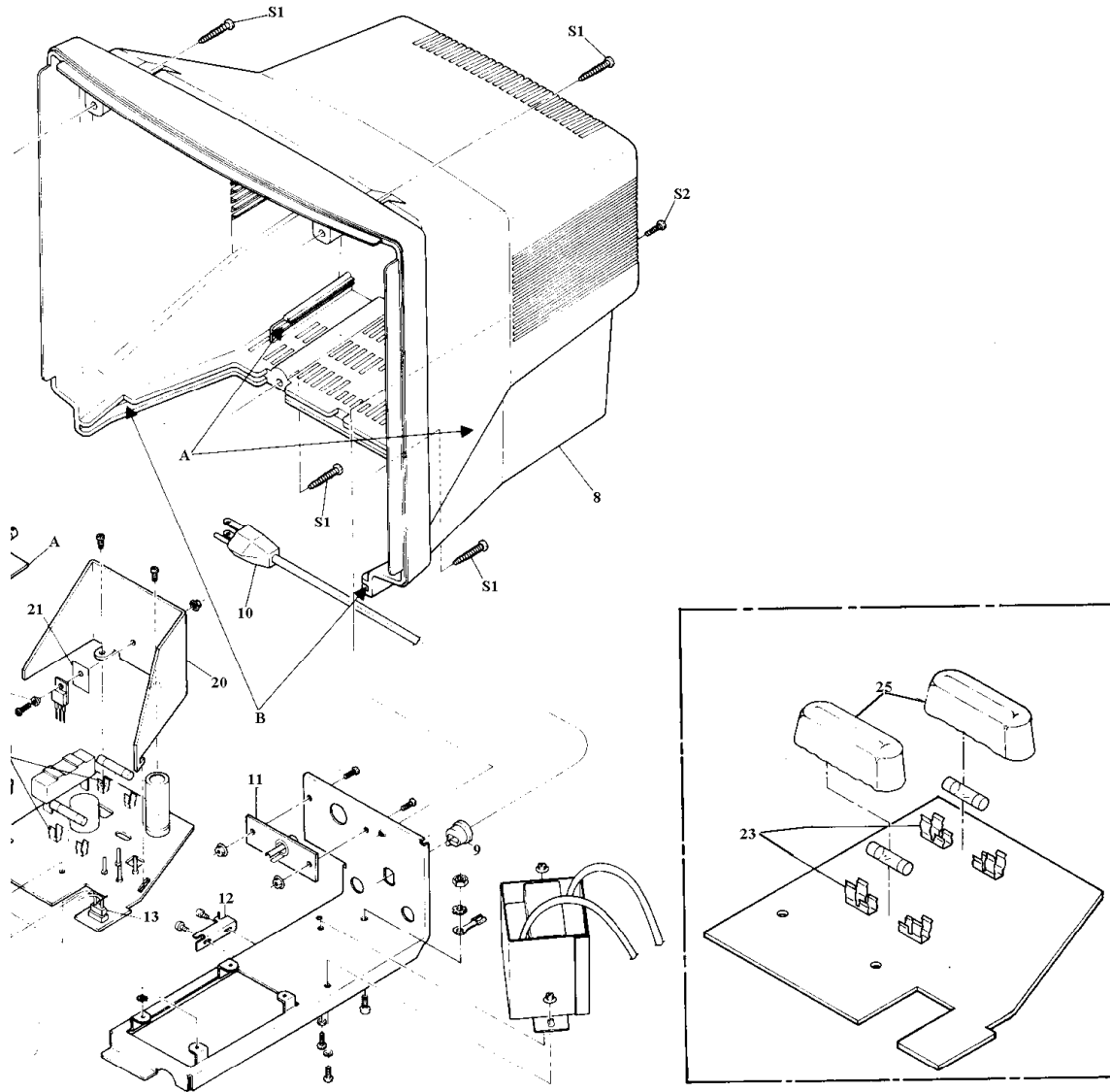


VM-4 MONOCHROME MONITOR
SHEET #2 (250-1020)
FAXBACK DOC # 10372



CONTINUED ON
SHEET # 1